

Century Lens Accessories for Sony HVR-Z5 & HDR-FX1000



The renowned Century Pro Series HD professional add-on lenses are designed to help you shoot wider, reach further, and move in closer than the lens on the Z5/FX1000 alone allows. The superb optics are designed to produce the best professional images. These extraordinary add-ons minimize chromatic aberrations and unwanted distortion and produce images that are ultrasharp edge-to-edge. Century front-mounted accessories interface directly with the camcorder's lens via a secure locking bayonet mount. So mounting and removing is quick, easy and safe.

.6X HD Wide Angle Adapter



OHD-06WA-Z7U

Lightweight and cost-effective, the .6X HD Wide Angle Adapter increases coverage by 40%. This professional optical tool yields a much wider angle of view with extremely low distortion. Partial zoom only.

.75X HD Wide Angle Converter



OHD-75CV-Z7U

The right tool for shooting situations that require both a wider angle of view and full zoom capability. Increases the field of view by 25% throughout the entire zoom range. This professional add-on lens produces crisp, high resolution images with low distortion and superior contrast edge to edge.

Fisheye HD Adapter



OHD-FEAD-Z7U

Add the Fisheye to the front of your lens for a wider angle of view and a remarkable degree of barrel distortion with no vignetting. The Fisheye exaggerates depth, pulling nearby objects closer and causing distant objects to recede into the background. The Fisheye allows for partial zoom—but for the most pronounced effect, you'll want to stay at the wide end of the range.

1.6X HD Tele-Converter



OHD-16TC-Z7U

Extend the reach of your zoom without exposure loss. The 1.6X HD Tele-Converter is a front-mounted accessory that also provides greater telephoto reach. Use it to instantly shift the focal length range of your camera in the telephoto direction. The perfect tool when it's inconvenient, dangerous or impossible to move as close to the subject as you would like.

Achromatic Diopters



OAD-7220-00,
OAD-7235-00

Available in +2.0 & +3.5 magnifications, Achromatic Diopters supply greater close-up range & magnification while maintaining zoom capabilities, without compromising image quality. Ideal when you need to focus tightly on a small object—in tabletop, miniature and flat field videography. 72mm thread.

Wide Angle Sunshade



OVS-SS05-00

This lightweight, 105mm clamp-on sunshade is a cost-effective means of light management. Offers a provision for (1) 4"x4" glass filter in a holder. Weighs only 6.5 oz.

Bayonet Mount for a Secure & Perfect Fit



Mounting and removing accessories is so easy, it takes just a few seconds. Most Century adapters and converters interface directly with the bayonet mount at the front of the lens and require just one hand to lock and unlock with a simple twist. There's no threading and no jamming.

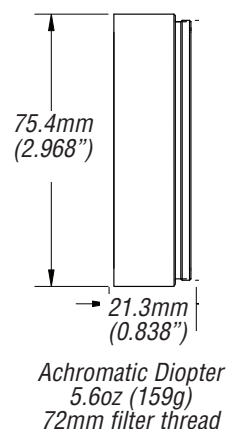
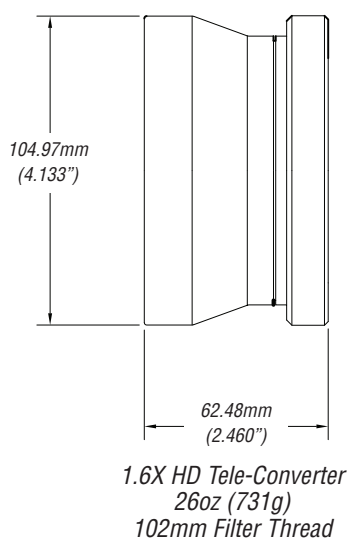
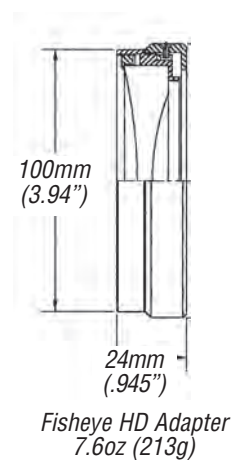
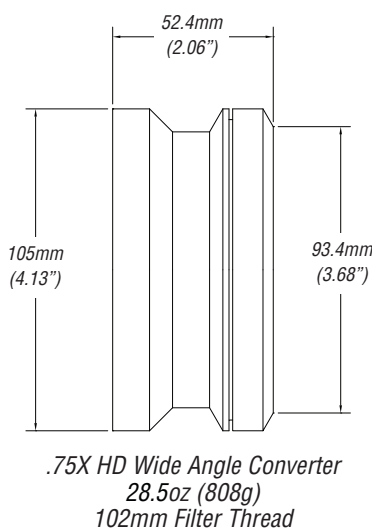
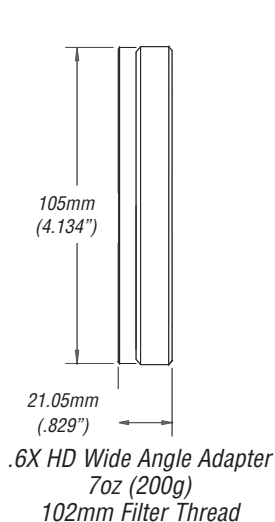


Century Add-ons for Sony HVR-Z5 & HDR-FX1000 Camcorders

	Description	Focal Length	Aperture	Horiz. Angle of View	35mm Still Equivalent	Comments
ORIGINAL LENS	20X	4.1-82mm	f/1.6-3.4	60.7 - 3.4	29.5-590mm	
OHD-06WA-Z7U	.6X HD Wide Angle Adapter*	2.46-32.8mm	f/1.6-3.4	88.6 - 8.4	18.5 - 246mm	Partial zoom in auto focus only
OHD-75CV-Z7U	.75X HD Wide Angle Converter*	3.08-61.5mm	f/1.6-3.4	75.9 - 4.5	23.1 - 461mm	Full zoom capability
OHD-FEAD-Z7U	Fisheye HD Adapter*	Approx. 1.6mm	f/1.6-3.4	111	12.3mm	Partial zoom in auto focus only
OHD-16TC-Z7U	1.6X HD Tele-Converter*	65-131mm	f/1.6-3.4	4.2 - 2.1	487 - 982mm	Partial zoom, vignettes @ wideangles
OAD-7220-00	+2.0 Achromatic Diopter**	N/A	f/1.6-3.4	N/A	N/A	Full zoom capability
OAD-7235-00	+3.5 Achromatic Diopter**	N/A	f/1.6-3.4	N/A	N/A	Full zoom capability

*Note: Bayonet Mount

** Note: 72mm thread-in adapters



1-800-228-1254

Schneider OPTICS
It Starts with the Glass™

West Coast • 7701 Haskell Ave. • Van Nuys, CA 91406 • Tel: 818-766-3715 • Fax: 818-505-9865
East Coast • 285 Oser Ave. • Hauppauge, NY 11788 • Tel: 631-761-5000 • Fax: 631-761-5090