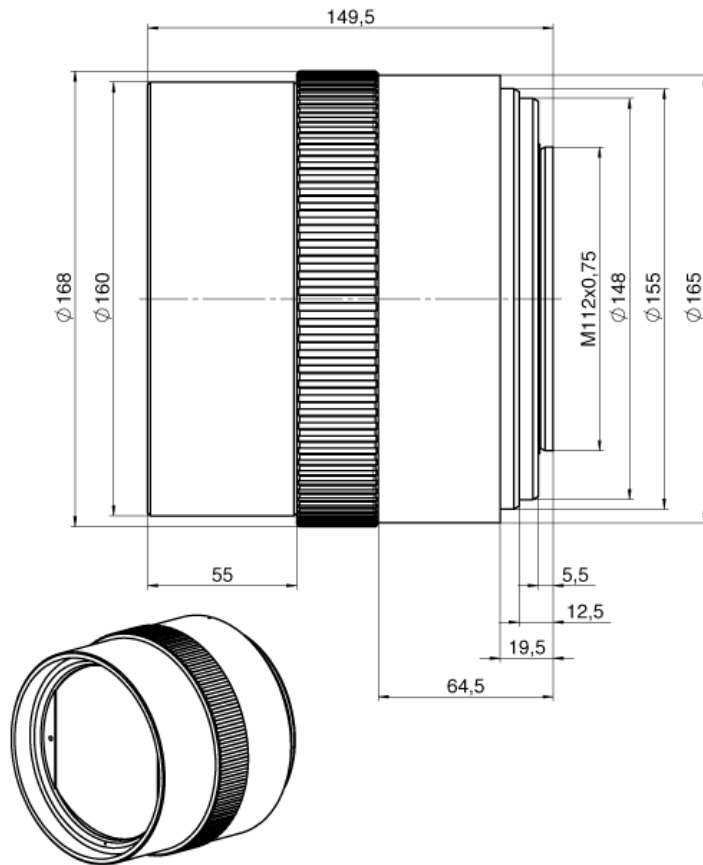


# Cine-Digitar Anamorphic 1.33x XL



**Imaging Device Compatibility:** DLP™, LCD, LCOS™, D-ILA™ up to 1.8''

**Anamorphic Factor:** 1.33x

**Magnification:** 1.0x

**Lens Construction:** 4 cylindrical elements / 2 groups

**Light Transmission:** > 96.5%

**Focus:** Manual focus ring

**Mechanical Diameter:** 168mm

**Length:** 150 mm

**Weight:** 9.0 lbs / 4.1 kg

**Mounting Capability:** Static Stand, Kino-Linear Mark II

**Schneider Part No.:** 54-1055113